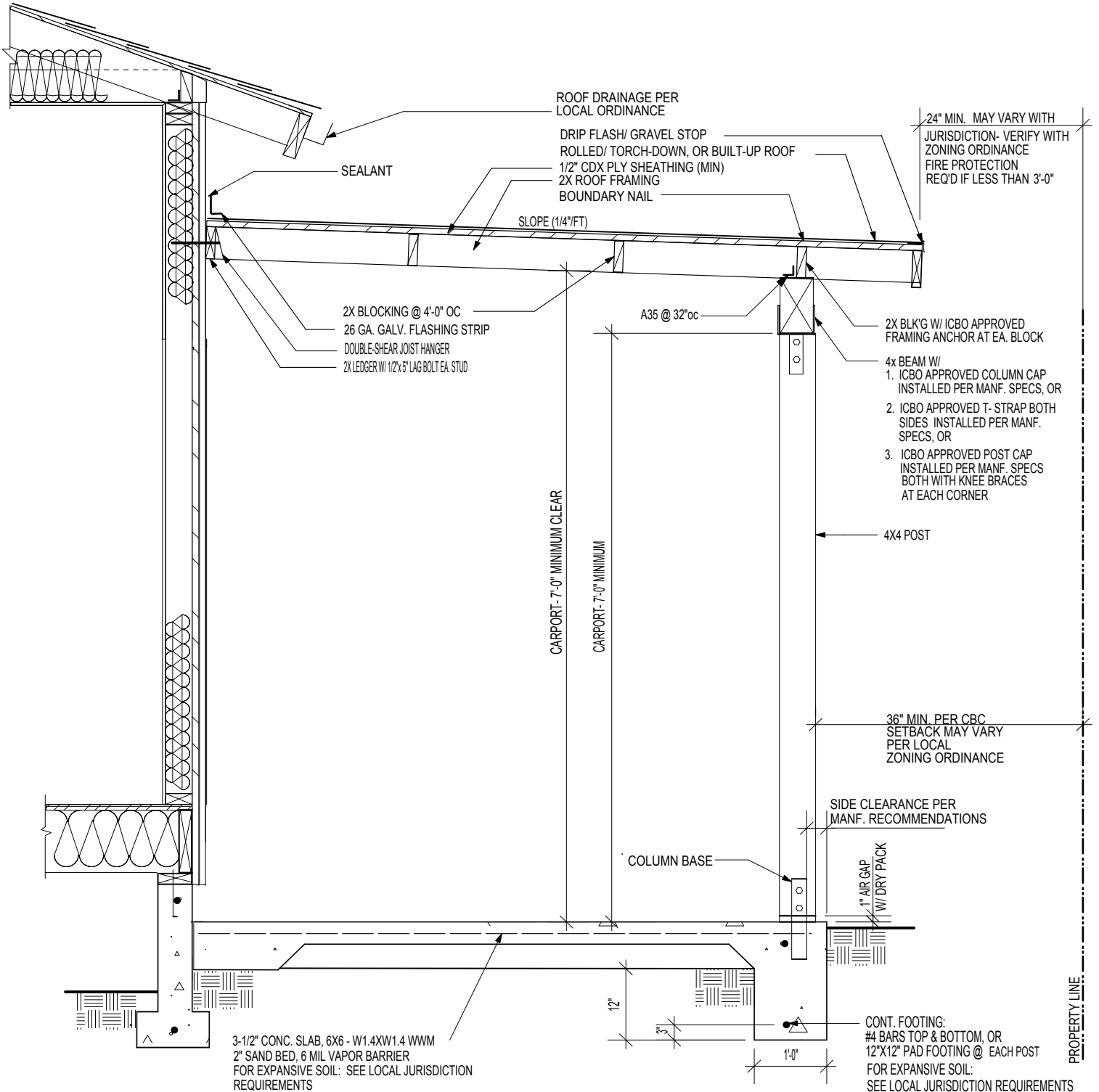
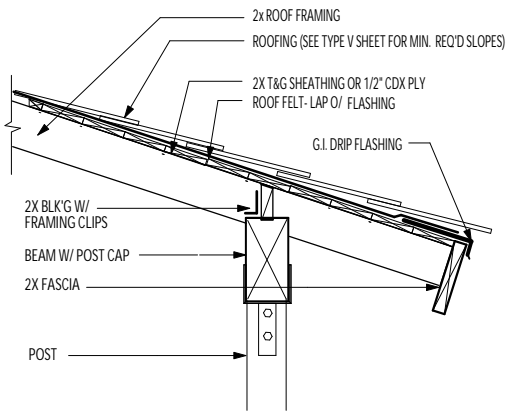




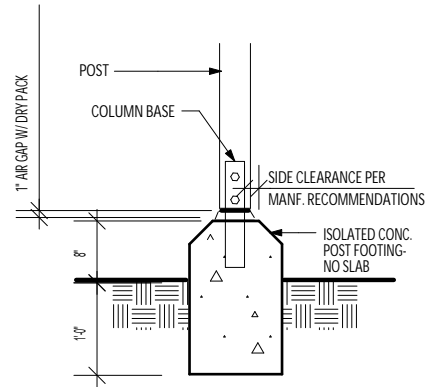
LOS ANGELES REGIONAL UNIFORM CODE PROGRAM CARPORT

TYPE V CONSTRUCTION- WOOD FRAME RESIDENTIAL BUILDINGS
(CBC CHAPTER 23, DIV IV, SEC. 2320) ONE-STORY CONSTRUCTION

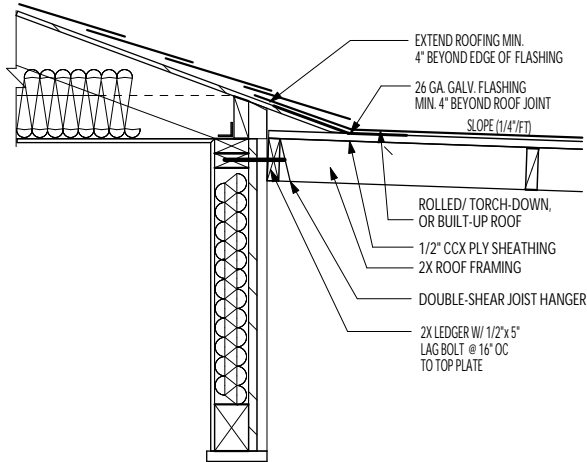




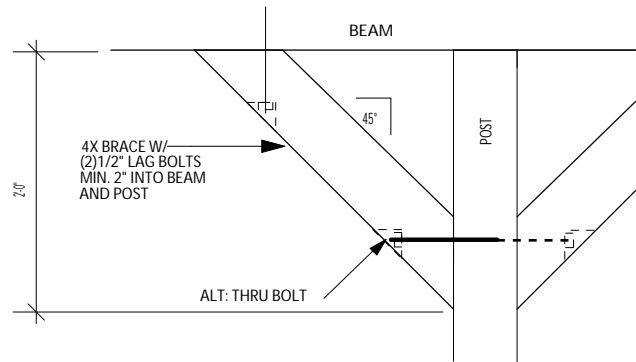
ALTERNATE EAVE DETAIL



ALT. FOOTING DETAIL



ALTERNATE CONNECTION DETAIL



KNEE BRACE DETAIL

ALLOWABLE SPANS FOR DF#1 HEADERS	
Maximum span of tributary load: 20'-0"	
SPAN	BEAM SIZE
Up to 4'-0"	4x4
4'-1" to 6'-0"	4x6
6'-1" to 8'-0"	4x8
8'-1" to 10'-0"	4x10
10'-0" to 12'-0"	4x12*

* 4x12 DF No.1 may be used over a 16'-0" garage door in one-story open patio or carport structures.

ALLOWABLE SPANS FOR DF #2 ROOF RAFTERS				ALLOWABLE SPANS FOR DF #2 CEILING JOISTS			
Light Dead Load (up to 15 psf)/ Max. Roofing Load: 6 psf (Asphalt Shingles)				Dead Load: 10 psf/ Live Load: 10 psf			
Live Load: 20 psf							
RAFTER SIZE	SPACING	ALLOWABLE SPAN		JOIST SIZE	SPACING	ALLOWABLE SPAN	
2x6	24"	8'-8"		2x4	24"	9'-10"	
	16"	10'-8"			16"	11'-3"	
	12"	12'-4"			12"	12'-5"	
2x8	24"	11'-0"		2x6	24"	15'-6"	
	16"	13'-5"			16"	17'-8"	
	12"	15'-6"			12"	19'-6"	
2x10	24"	14'-0"		2x8	24"	20'-5"	
	16"	17'-2"			16"	23'-4"	
	12"	19'-10"			12"	25'-8"	
2x12	24"	17'-0"		2x10	12"	26'-0"	
	16"	20'-10"					
	12"	24'-1"					

TYPE V CONSTRUCTION IS A CLASSIFICATION OF BUILDINGS BY CONSTRUCTION MATERIALS AND METHODS. IT IS THE LEAST RESTRICTIVE PERMITTED BY THE UNIFORM BUILDING CODE AND INCLUDES LIGHT, WOOD-FRAME CONSTRUCTION. THIS SHEET IS FOR INFORMATION AND REFERENCE ONLY AND IS NOT A SUBSTITUTE FOR ACCURATE DRAWINGS PREPARED FOR EACH PROPOSED CONSTRUCTION PROJECT.