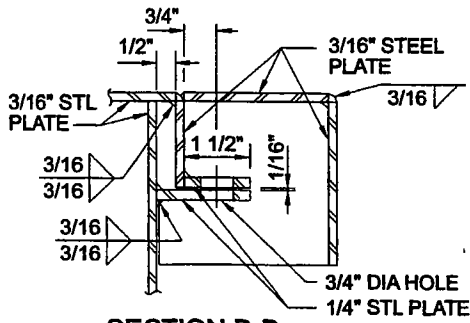
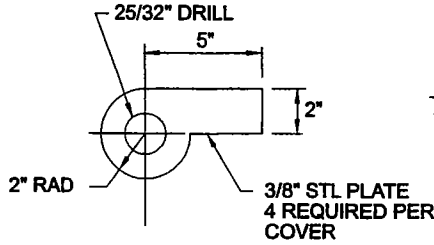


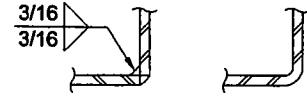
TANK - ROOF ACCESS HATCH DETAILS



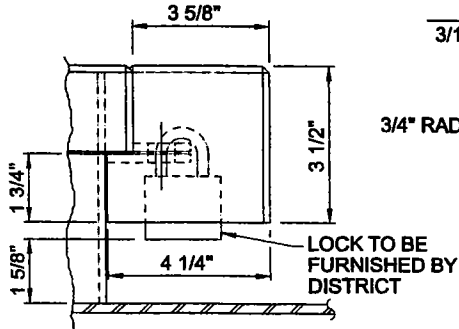
**SECTION B-B  
HASP DETAIL**



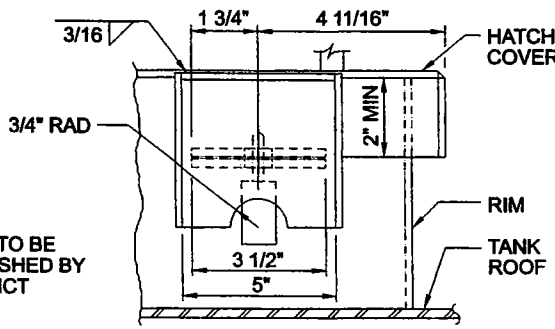
**DETAIL "A"  
HINGE PLATE DETAIL**



**TYPICAL JOINTS  
(EITHER TYPE ACCEPTABLE)**

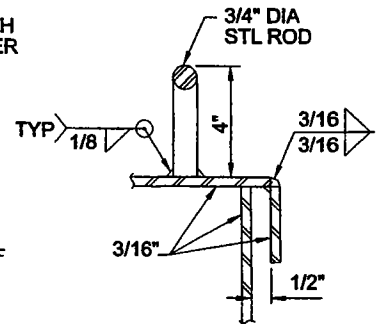


**SIDE VIEW**

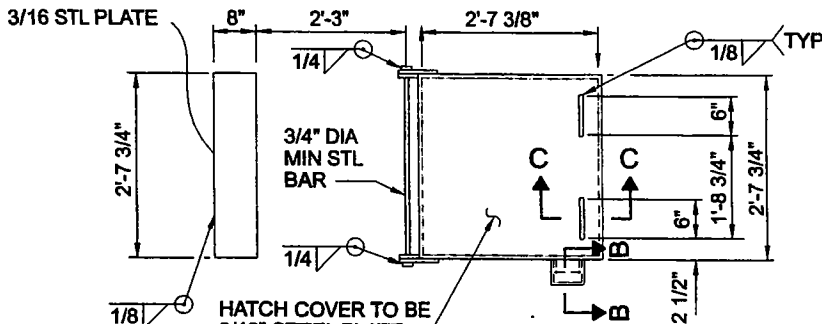


**FRONT VIEW**

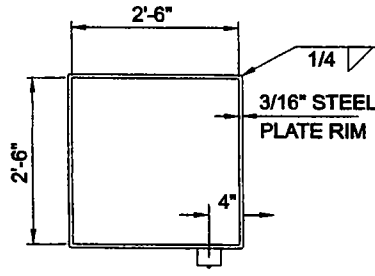
**DETAIL "B"  
LOCK AND HASP**



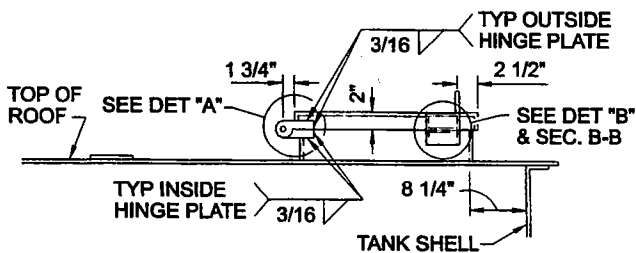
**SECTION C-C  
HATCH HANDLE**



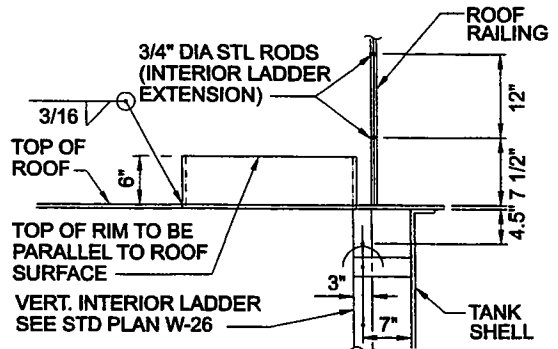
**PLAN**



**PLAN**



**ELEVATION  
ROOF ACCESS HATCH COVER**



**ELEVATION  
ROOF ACCESS HATCH COVER**

NTS

LOS ANGELES COUNTY WATERWORKS DISTRICTS

DEPARTMENT OF PUBLIC WORKS

STANDARD PLAN

**W-27**

APPROVED

*[Signature]*  
ASSISTANT DEPUTY DIRECTOR

APRIL 2004

DATE

SHEET 1 OF 1