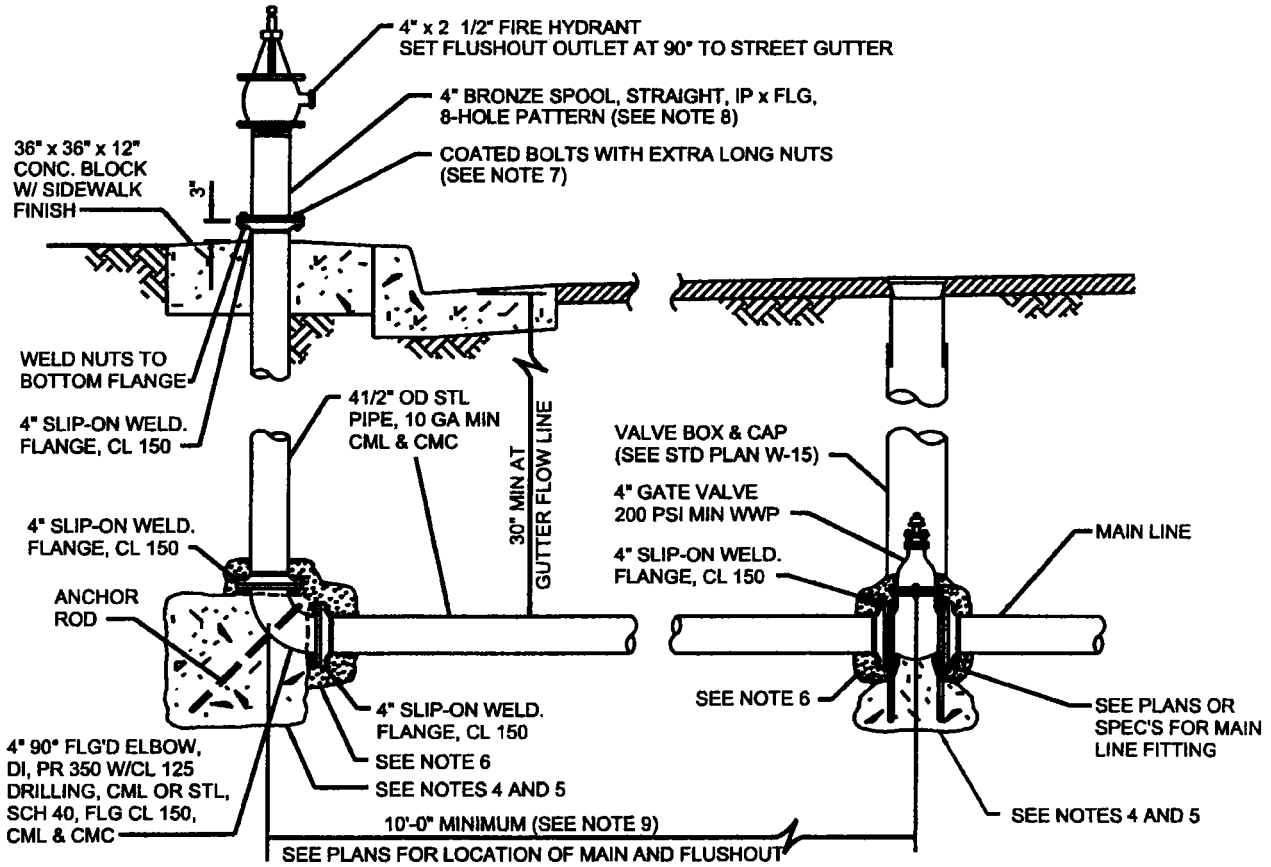


FLUSHOUT - COMPLETE
(200 PSI MAX WWP, AT END OF MAIN)



ELEVATION
NTS

GENERAL NOTES:

1. IN THE ABSENCE OF A CURB, SET BOTTOM OUTLET 24-INCHES ABOVE CROWN OF ROAD AND PROVIDE STEEL PIPE BARRICADES AS DIRECTED BY DISTRICT (SEE STD PLAN W-14).
2. CENTERLINE OF RISER SHALL BE TWO (2) FEET BEHIND CURB FACE EXCEPT WHERE SIDEWALK IS ADJACENT TO CURB, IN WHICH CASE THE RISER SHALL BE AS SHOWN ON THE PLANS NOT TO EXCEED A DISTANCE OF SEVEN (7) FEET FROM CURB FACE. (REFER TO STREET ENCROACHMENT PERMIT).
3. NO FLUSHOUT SHALL BE INSTALLED CLOSER THAN TEN (10) FEET FROM EDGE OF ANY DRIVEWAY APRON (TOP OF X), CURB RETURN, OR FIVE (5) FEET FROM OTHER UTILITY.
4. USE 2000 PSI MINIMUM CONCRETE FOR THRUST BLOCKS AND FLUSHOUT PAD. PLACE CONCRETE ON UNDISTURBED OR COMPACTED SOIL.
5. SEE STD PLAN W-21 FOR THRUST BLOCK REQUIREMENTS.
6. ALL UNCOATED METAL SURFACES INCLUDING BOLTS INSTALLED UNDERGROUND ARE TO BE "DIAPERED" AND GROUTED WITH 900 - 1000 PSI CEMENT MORTAR (1 CEMENT: 3 SAND: 1 LIME) TO PROVIDE A 2-INCH THICK COATING.
7. THE BOLTS AND NUTS CALLED FOR AT THE TOP FLANGE CONNECTION ON THE RISER SHALL BE 5/8" COATED "BLUE" BOLTS.
8. THE EXTERIOR OF THE ABOVE GROUND PORTION OF THE FLUSHOUT, EXCEPT FOR THE THREADS, SHALL BE PAINTED WITH 2 COATS OF DISTRICT APPROVED RED-PRIMER AND 2 COATS OF DISTRICT APPROVED FOREST GREEN PAINT.
9. INTERMEDIATE PIPE JOINTS IN LATERAL SHALL BE EITHER LAP OR BELL, WELDED OR FLANGED. PIPE SHALL BE INSTALLED HORIZONTAL OR SLOPING DOWNWARD FROM MAIN TO PROVIDE MINIMUM COVER. AN ADDITIONAL VALVE MAY BE REQUIRED AS SHOWN ON THE PLANS OR AS DIRECTED BY THE DISTRICT.
10. OUTLETS SHALL BE CAPPED WITH DISTRICT APPROVED PLASTIC CAPS.

LOS ANGELES COUNTY WATERWORKS DISTRICTS

DEPARTMENT OF PUBLIC WORKS

STANDARD PLAN

W-32

APPROVED

[Signature]
ASSISTANT DEPUTY DIRECTOR

JULY 2009

DATE

SHEET 1 OF 1