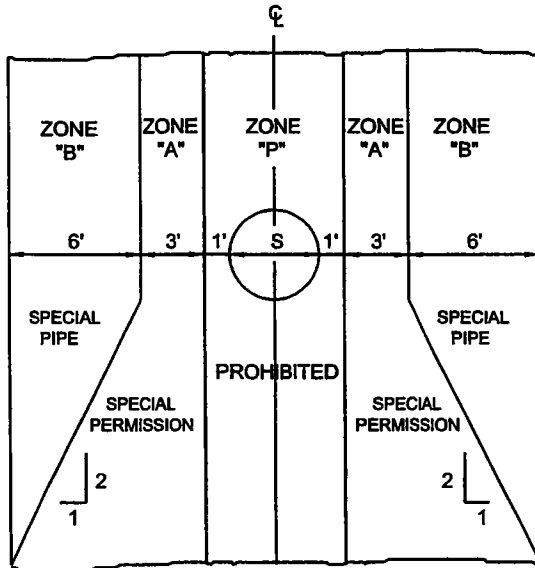


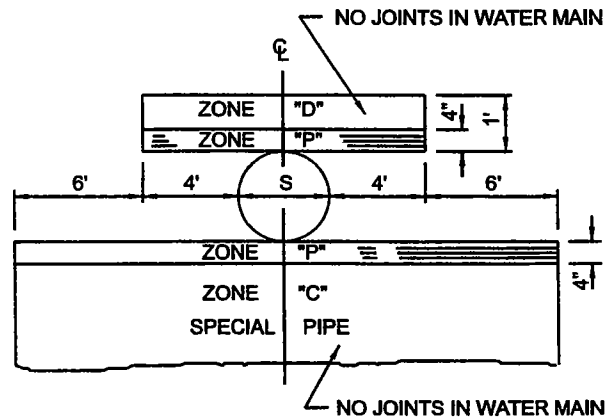
DESIGN REQUIREMENTS FOR WATER MAINS IN THE VICINITY OF SANITARY SEWERS

PARALLEL CONSTRUCTION



SPECIAL CONSTRUCTION WILL BE REQUIRED IF HORIZONTAL CLEARANCE BETWEEN PRESSURE WATER MAIN AND SEWER LINE IS LESS THAN 10 FEET. SEE THE ZONE ABOVE CORRESPONDING TO CONSTRUCTION REQUIREMENTS BELOW.

PERPENDICULAR CONSTRUCTION



SPECIAL CONSTRUCTION WILL BE REQUIRED IF VERTICAL CLEARANCE BETWEEN PRESSURE WATER MAIN AND SEWER LINE, AT CROSSING, IS LESS THAN ONE FOOT. SEE THE ZONE ABOVE CORRESPONDING TO CONSTRUCTION REQUIREMENTS BELOW.

ZONE	WATER MAIN CONSTRUCTION REQUIREMENTS
A	NO WATER MAINS PARALLEL TO SEWERS SHALL BE CONSTRUCTED WITHOUT APPROVAL FROM THE HEALTH AGENCY.
B	USE STEEL PIPE, CML AND CMC WITH WELDED JOINTS.
C	NO JOINTS WITHIN 10 FEET OF EITHER SIDE OF SEWER LINE. USE DUCTILE IRON PIPE, CML AND POLYETHYLENE WRAPPED, OR STEEL PIPE, CML AND CMC.
D	NO JOINTS WITHIN 4 FEET OF EITHER SIDE OF SEWER LINE. USE DUCTILE IRON PIPE, CML AND POLYETHYLENE WRAPPED, OR STEEL PIPE, CML AND CMC.
P	PROHIBITED ZONE - NO WATER MAINS ARE ALLOWED TO BE INSTALLED WITHIN THIS ZONE.

ADDITIONAL NOTES:

- 1) WATER MAINS AND SEWER LINES MUST NOT BE INSTALLED IN THE SAME TRENCH.
- 2) SEPARATION DISTANCES SPECIFIED SHALL BE MEASURED FROM THE NEAREST EDGE OF FACILITIES.
- 3) STEEL PIPE SHALL BE A MINIMUM OF 10 GAGE THICKNESS.

THE "CALIFORNIA WATERWORKS STANDARDS" SETS FORTH THE MINIMUM SEPARATION REQUIREMENTS FOR WATER MAINS AND SEWER LINES. THESE STANDARDS ARE CONTAINED IN SECTION 64630, TITLE 22, CALIFORNIA ADMINISTRATIVE CODE.

LOS ANGELES COUNTY WATERWORKS DISTRICTS

DEPARTMENT OF PUBLIC WORKS

STANDARD PLAN

W-50

APPROVED

ASSISTANT DEPUTY DIRECTOR

APRIL 2004

DATE

SHEET 1 OF 1